

**SPECIFICATIONS**

**Material:** HEXSEALS: Silicone rubber conforms to A-A-59588 Class III, GR 60 unless otherwise specified.

**Mounting Nut:** HEXSEALS: Brass, nickel-plated (unless otherwise noted)

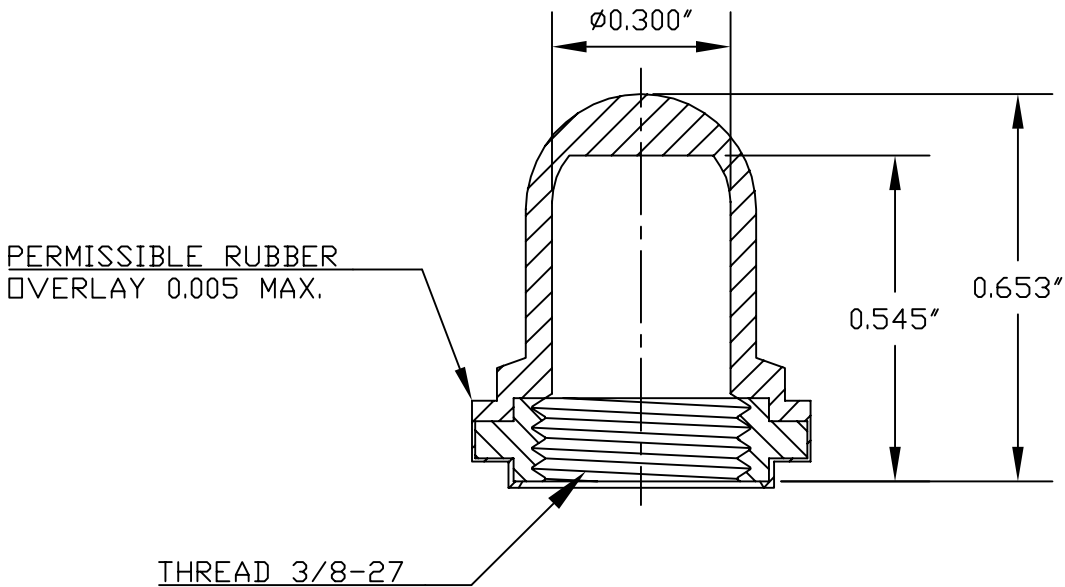
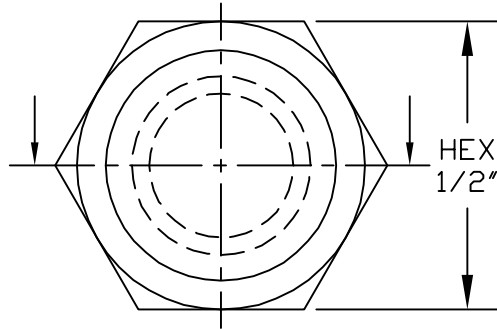
**Temperature Range:** HEXSEALS: -94°F to +400°F

**Pressure Range:** Exceeds 15 psi internal and 1500 psi external.

**Operational Life:** 50,000 actuations (minimum).

**Shelf Life:** Excess of 25 years.

**Resistant to:** Salt spray, sunlight, ozone, weather, fungus, and most acids and lubricating oils



J	REDRAWN and PLUNGER HEIGHT CHANGED	S. GOK	04.08.09	
I	CAD COMPUTER GENERATED		09.23.02	
H	UPDATED, ADDED ORDER NUMBERS, DWG NO. was 1231/SERIES	W. P.	11.24.76	
REV.	DESCRIPTION	DATE		
MAXIMUM AND MINIMUM MEASUREMENTS ARE STATED DIRECTLY ON EACH DIMENSION. MAT'L: Silicone Rubber A-A-59588 Gr.60 FINISH:		ENG.	M. MORSE	01.21.60
		DWN.	S. ANDREWS	01.21.60
		CHKD.	B. GLICKSMAN	01.21.60
TITLE: PUSHBUTTON BOOT APM-HEXSEAL CORPORATION		SCALE	DWG. NO.	1231/8
		3:1		

THIS DRAWING COVERS PROPRIETARY ITEM AND IS THE PROPERTY OF THE APM-HEXSEAL CORPORATION. THIS DRAWING IS NOT TO BE COPIED OR USED WITHOUT THE WRITTEN APPROVAL OF AN OFFICER OF THE APM-HEXSEAL CORPORATION.